



Curtain Track

Patent No.: 19120789.3



Contents

Introduction	1
Our System	2 - 3
Product Information & Components	4 - 5
Job Photo	6 - 7
Test Report	8 - 9

Introduction

Hang your curtains with style and purpose. Australian Building Components(ABC) offers elegant and effective curtain track solutions suitable for any environment.

We manufacture and supply curtain track varieties designed to be unobtrusive and fashionable for the needs of residential and commercial spaces, or heavy duty and durable, conforming to the specialised needs of the industrial or professional sectors.

Each system type is customised to your curtain space, and come with brackets, joints or attachments best suited for the intended curtain and setting. Multi-track varieties and rod holders are also available, allowing you to prepare for the right curtains to hang to your satisfaction.

Our System

THE CURTAIN TRACK SYSTEM

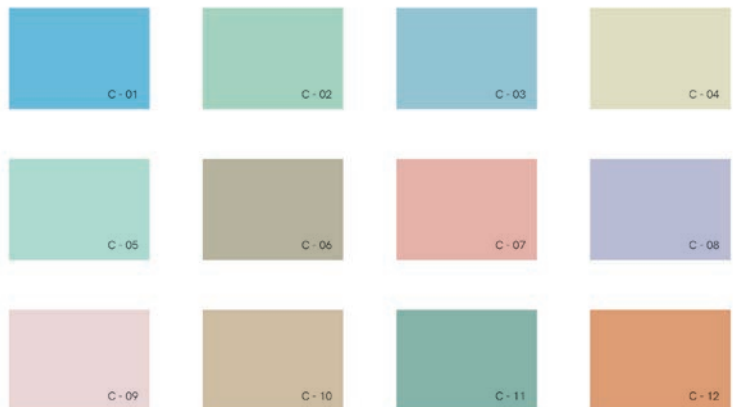
Anti-Ligature Carriers: Designed by the ABC engineering team, this overload open-return system ensures the curtain stays in place during everyday use while providing additional safeguards against self harm. In compliance with NHS HTM66 anti-ligature requirement guidelines, this system's track is fixed to the ceiling to prevent tampering. The safety mechanism is activated if a weight exceeding 30 kilograms overloads the system, causing the hanger to release the curtain. The system returns to normal when the excessive weight is removed.

Anti-Ligature Magnetic system: Designed for the most convenient useage, this system uses strong magnet to fix the rail on the suspended ceiling rod. Also in compliance with NHS HTM66, The safety mechanism is activated once the loading exceed the magnet maximum loading of 14kg, the magnet releases the rail onto the ground. To reset the rail, simply clip the rail back onto the magnet brackets.

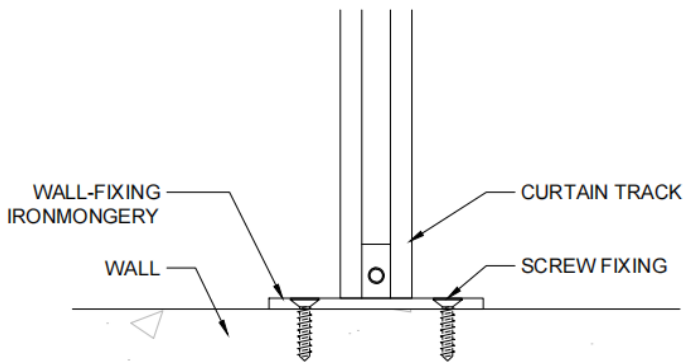
CURTAIN

Along with the high standard Anti-Lgature curtain track, ABC also manufactures anti bactria curtains as options for clients to purchase from.

Made with high quality microbial and flame resistance clothes, we curtain can be delivered in your desired colour and size.

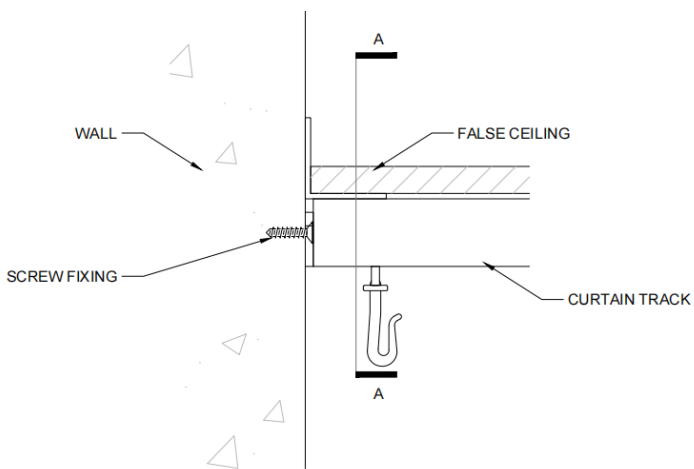


SYSTEM INFORMATION

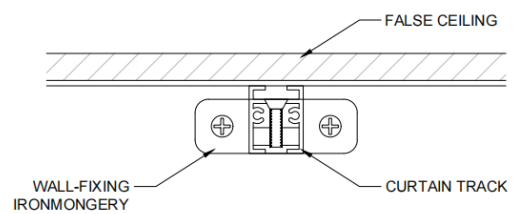


BOTTOM VIEW

SYSTEM DETAILS	
Dimensions	Maximum length of track 6m
	Minimum 90 degree turn radius 100mm
	Max C/C of fixings 3m
Material	Extruded Aluminium 6063-T5
	Samarium-Cobolt Magnet
	Range of colours



ELEVATION SECTION



SECTION OF TRACK A-A

Product Information & Components

HEAVY DUTY RAIL SYSTEM

Model No.: ABC-CUR-HDR

PRODUCT INFORMATION	
Application	Hospital and Industrial Curtain Tracks
Loading	Less than 30kg/LM
Classic release system	3.5 - 4 kg for each hook
Attachments	Screw, Bracket and Flange Fixings
Mounting	Wall & Ceiling
Coating	Anti-microbial coating/ PVDF paint coat
Materials	Aluminum & Alloy - track set



COMPONENTS



- Track / Linear (Tailor Made)
- Tack / Bend (Tailor Made)
- Gravity open / return hook

WARD CUBICAL RAIL SYSTEM

Model No.: ABC-CUR-CRS

Patent No.: 19120789.3

PRODUCT INFORMATION	
Application	Hospital Cubicle Curtain
Loading	Less than 30kg/LM
Classic release system	3.5 - 4 kg for each hook
Magnetic release system	14kg
Mounting	Wall & Ceiling
Coating	Anti-microbial coating
Materials	Aluminum & Alloy - track set



Hook :

Ball Joint Release Hook

Gravity Release Hook

Magnetic Release :

Samarium-Cobolt Material

Anti-ligature functionality

Moving track functionality

Patented small rubber inserts

Job Photo





Test Report

Test Report

Report No. : JC12080607346

Products Name	Curtain	Inspection Type	Entrustment Inspection
Size	100% polyester and 2.8meters height	Brand	HengSheng
Quantity of sample	1 piece	Color	beige
Trustor	Jinan Hengsheng New Building Materials Co., Ltd.	Trustor address	Qi Jia Da Qiao Town LiCheng district JiNan City
Sample sender	Zhang HongJian	Final application	Hospital
Inspection date	2012-08-06—2012-08-08	Sample Date	2012-08-06
Sample description	Sample appearance no exception		
Inspection basis documents	GB/T 17591-2006		
Inspection term	Flame retardant		
Main equipment	Vertical fabric flame retardant detector		
Environment	Standard environmental conditions		
Inspection conclusion	Conform to the GB/T 17591-2006		
Remarks	/		



Approved:

Auditor:

Main inspection:

Total 2 pages, page 1

浙江恒祥纺织品检测有限公司/Zhejiang Hengxiang Textile Testing Co.,Ltd
 浙江现代纺织工业研究院检测中心/Zhejiang Institute of Modern Textile Industry Testing Center
 浙江绍兴县柯桥西环路588号1幢裙楼大厦第10层 邮政编码: 312030
 10F Kechuang Building, No.588 XiHuan Road ,Keqiao,Shaoxing, Zhejiang
 Tel: +86 575 84780269 84780215 81109669 Fax: +86 575 84780263 www.textlab.org

Inspection conclusion

Report No.: JC12080607346

Inspection Term		Unit	Requirement	Conclusion	Summary	
Flame retardant	Damage Length	Vertical	mm	≤150	86	Standard Compliant
		Horizontal			75	
	Continued Time	Vertical	s	≤5	0	
		Horizontal			0	
	Smoldering Time	Vertical	s	≤5	0	
		Horizontal			0	



Total 2 pages, page 2



SEE MORE

Contract Detail

Whatsapp: +61 401 381 877 (Leo)

E: info@aubuild.com.au / Leo@aubuild.com.au

W: www.aubuild.com.au

A: 3 Walnut Court Calamvale, QLD 4116, Australia.

